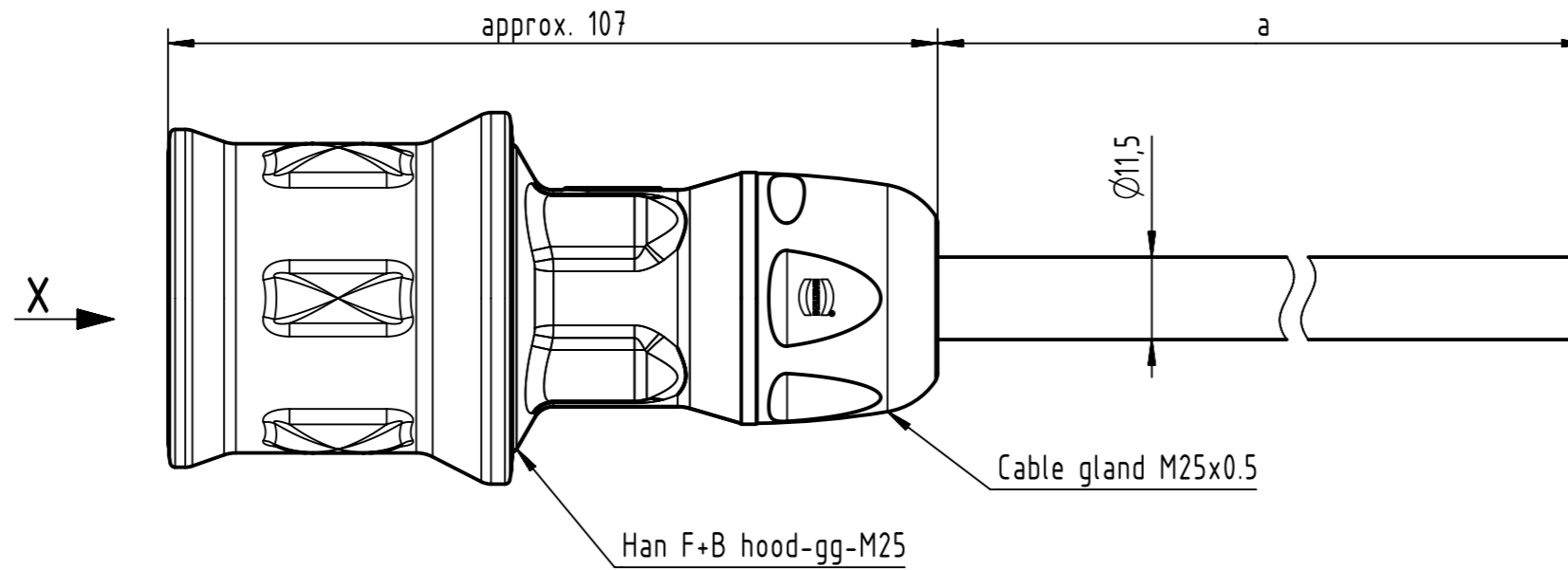
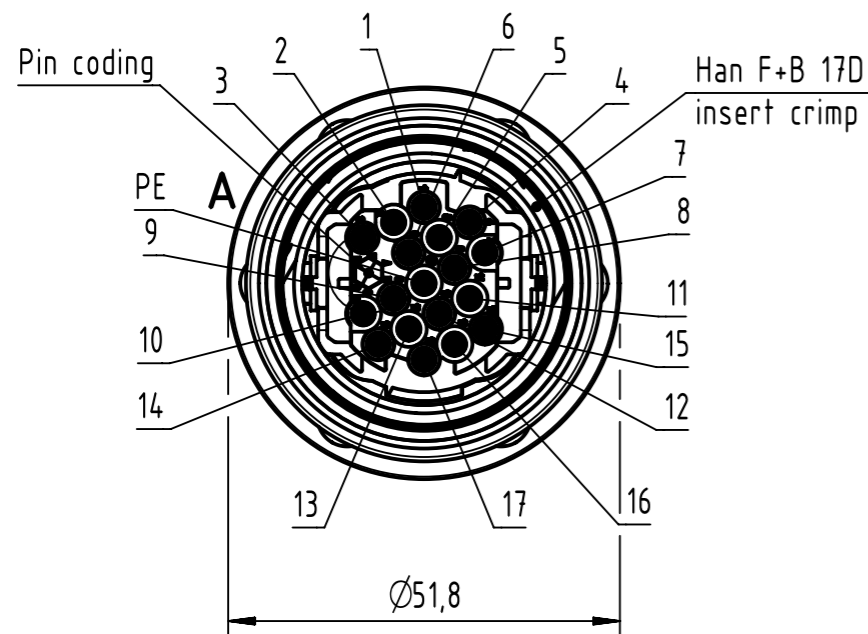


Connector Location A

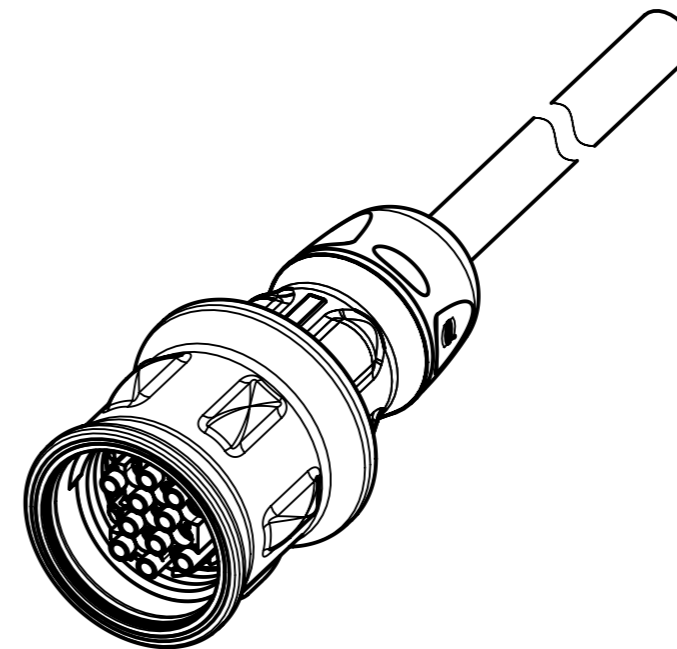
Connector Location B



X female



Pin Conn. Loc. A	Wire
1	Black 1
2	Black 2
3	Black 3
4	Black 4
5	Black 5
6	Black 6
7	Black 7
8	Black 8
9	Black 9
10	Black 10
11	Black 11
12	Black 12
13	Black 13
14	Black 14
15	Black 15
16	Black 16
17	Black 17
PE	Green/Yellow



6.0 to 100	±1%
0.6 to 5.9	+0.04
0.2 to 0.5	+0.02
a [m]	Tolerance

length in "1m" step	100	XXX=000
	99	XXX=990
	.	.
length in "0.1m" step	12	XXX=120
	11	XXX=110
	10	XXX=100
	9.9	XXX=099
	9.8	XXX=098
	.	.
0.5	XXX=005	
0.4	XXX=004	
0.3	XXX=003	
0.2	XXX=002	
Step	a [m]	XXX

F-C-PURö-JZ 18G0.5mm<sup>2</sup>, PUR, grey

33504200306XXX

Type of cable

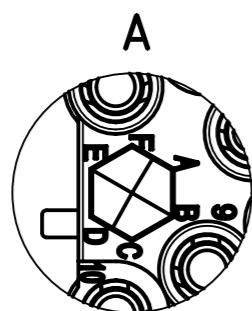
Part no.

NOTE:

- \* Silver plated contacts
- Protection level: IP69

Temperature range:

- Fixed installation: -40°C ... +80°C
- Dynamic installation: -20°C ... +80°C



	All rights reserved Department HCS - RO	Created by 402676 Gross	Inspected by COSTEA Costea	Standardisation MUNTEANV Muntean	Date 2021-10-25	State Final Release	Doc-Key / ECM-Nr. 100965443/UGD/000/B 500000204489
HARTING Customised Solutions D-32339 Espelkamp		Title Han F+B CA 17D 0,5mm <sup>2</sup> f/- st/-PUR		Number 33504200306XXX		Rev. B	Page 1/1